

Intel® Desktop Boards D850EMD2 and D850EMV2 Quick Reference

This guide is written for technically qualified personnel with experience installing and configuring desktop boards.

Before You Begin

Warning and Cautions.....	3
Safety and Regulatory Notice.....	3

Desktop Board Components 4

Supported Components

Processors	6
Memory Module Requirements.....	6

Installation Steps

1 Installing the I/O Shield	7
2 Installing the Desktop Board.....	7
3 Installing the Processor	8
4 Installing the Memory Modules	8
5 Installing an AGP Card	9
6 Connecting the Fans.....	10
7 Attaching the IDE Drives.....	10

Using the BIOS Setup Program..... 11

Setting the BIOS Configuration Jumper Block..... 11

BIOS Setup Program Defaults..... 12

Items on the Intel® Express Installer CD-ROM

- Product warranty
- Intel® Express Installer
- *Intel® Desktop Boards D850EMD2 and D850EMV2 Product Guide*
- Software utilities and drivers
- Software license agreement
- Readme file

Part number: A85187-002

Getting Help

View or download product support information from Intel's World Wide Web site: <http://support.intel.com/support/motherboards/desktop>

Documents on the Web site include:

- *Intel® Desktop Board D850EMD2/D850EMV2 Technical Product Specification*
- *Intel® Desktop Board D850EMD2/D850EMV2 Specification Update*

If you can't find the information you need on the Web, contact your point of purchase. The Intel World Wide Web site also includes telephone numbers and billing charges, if applicable, for Intel customer support.

INFORMATION IN THIS DOCUMENT IS PROVIDED IN CONNECTION WITH INTEL® PRODUCTS. NO LICENSE, EXPRESS OR IMPLIED, BY ESTOPPEL OR OTHERWISE, TO ANY INTELLECTUAL PROPERTY RIGHTS IS GRANTED BY THIS DOCUMENT. EXCEPT AS PROVIDED IN INTEL'S TERMS AND CONDITIONS OF SALE FOR SUCH PRODUCTS, INTEL ASSUMES NO LIABILITY WHATSOEVER, AND INTEL DISCLAIMS ANY EXPRESS OR IMPLIED WARRANTY, RELATING TO SALE AND/OR USE OF INTEL PRODUCTS INCLUDING LIABILITY OR WARRANTIES RELATING TO FITNESS FOR A PARTICULAR PURPOSE, MERCHANTABILITY, OR INFRINGEMENT OF ANY PATENT, COPYRIGHT OR OTHER INTELLECTUAL PROPERTY RIGHT. INTEL PRODUCTS ARE NOT INTENDED FOR USE IN MEDICAL, LIFE SAVING, OR LIFE SUSTAINING APPLICATIONS. INTEL MAY MAKE CHANGES TO SPECIFICATIONS AND PRODUCT DESCRIPTIONS AT ANY TIME, WITHOUT NOTICE.

The D850EMD2 and D850EMV2 desktop boards may contain design defects or errors known as errata which may cause the product to deviate from published specifications. Current characterized errata are available on request.

Contact your local Intel sales office or your distributor to obtain the latest specifications and before placing your product order.

Copies of documents which have an ordering number and are referenced in this document, or other Intel literature, may be obtained from Intel Corporation by going to the World Wide Web site at: <http://www.intel.com> or by calling 1-800-548-4725.

Intel and Pentium are registered trademarks of Intel Corporation or its subsidiaries in the United States and other countries.

† Other names and brands may be claimed as the property of others.

Copyright © 2002, Intel Corporation

Before You Begin

Warning and Cautions



WARNING

Disconnect the desktop board's power supply from its AC power source before you connect or disconnect cables, or install or remove any board components. Failure to do this can result in personal injury or equipment damage. Some circuitry on the desktop board can continue to operate even though the front panel power switch is off.



CAUTION

Electrostatic discharge (ESD) can damage desktop board components. Install the board at an ESD-controlled workstation. If such a workstation is not available, wear an antistatic wrist strap or touch the surface of the antistatic package before handling the board.



CAUTION

Many of the internal connectors provide operating voltage (+5 V DC and +12 V DC, for example) to devices inside the computer chassis, such as fans and internal peripherals. These connectors are not overcurrent protected. Do not use these connectors for powering devices external to the computer chassis. A fault in the load presented by the external devices could cause damage to the computer, the interconnecting cables, and the external devices themselves.

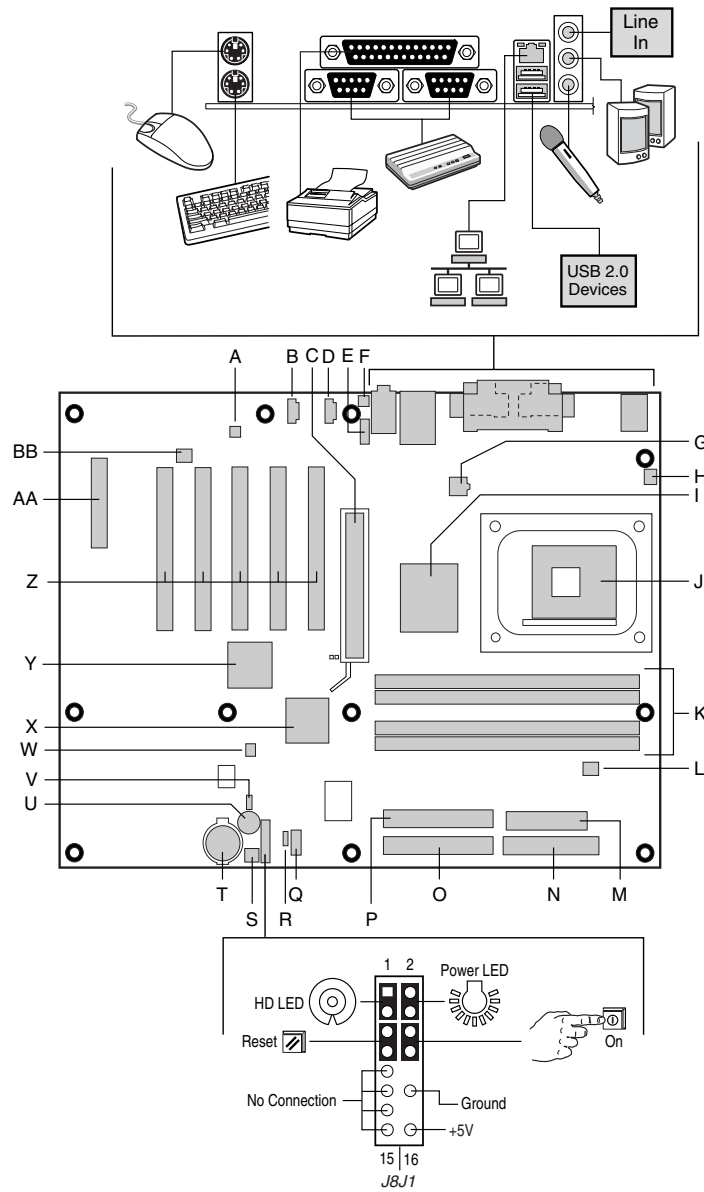
Safety and Regulatory Notice

See the *Intel® Desktop Boards D850EMD2 and D850EMV2 Product Guide* for all applicable regulatory compliance statements, product certification markings, and safety and electromagnetic compatibility (EMC) standards and regulations these desktop boards are compliant with.

Replacement battery warning label provided: Place the label inside the chassis in an easy-to-see location near the battery but not on the board itself.

Intended uses: This product was evaluated as information technology equipment (I.T.E.) for home or office use when installed into an appropriate computer chassis. Other end uses or locations may require further evaluation.

Desktop Board Components



OM13641

continued

Desktop Board Components (continued)

A	ADI AD1885 audio codec	O	Primary IDE connector
B	ATAPI auxiliary line-in connector	P	Secondary IDE connector
C	AGP connector	Q	Front panel USB 2.0 connector
D	ATAPI CD-ROM connector	R	Alternate power/sleep LED connector
E	Front panel audio connector	S	Chassis fan connector (fan 2) (tachometer input)
F	Chassis intrusion connector	T	Battery
G	12 V processor core voltage connector	U	Speaker
H	Processor fan connector (tachometer input)	V	BIOS configuration jumper
I	Intel® 82850E Memory Controller Hub (MCH)	W	SCSI hard drive activity LED connector
J	Processor socket	X	Intel® 82801BA I/O Controller Hub (ICH2)
K	RIMM† sockets	Y	NEC D720100AGM USB 2.0 controller
L	RIMM fan connector (fan 1)	Z	PCI bus add-in card connectors
M	Power connector	AA	Communication and Networking Riser (CNR) (optional)
N	Diskette drive connector	BB	Chassis fan (fan 3)



CAUTION

Failure to use an ATX12V power supply, or not connecting the additional power supply lead to the Desktop Board D850EMD2 or D850EMV2 may result in damage to the desktop board. For more information on the ATX12V power supply, refer to the Intel Desktop Boards D850EMD2 and D850EMV2 Product Guide on the Intel® Express Installer CD-ROM.



NOTE

The number of PCI slots on your desktop board may differ from those in the illustration.

Supported Components

Processors

The desktop boards support the following processors:

Type	Designation	Front Side Bus Frequency	L2 Cache
Intel® Pentium® 4 processor on .13 micron process in an mPGA478 package	2.40 and 2.26 GHz	533 MHz	512 KB
Intel Pentium 4 processor on .13 micron process in an mPGA478 package	2.20, 2A, 1.80A, and 1.60A GHz	400 MHz	512 KB
Intel Pentium 4 processor on .18 micron process in an mPGA478 package	2, 1.90, 1.80, 1.70, 1.60, and 1.50 GHz	400 MHz	256 KB

For the latest information on processors supported by the desktop boards D850EMD2 and D850EMV2, refer to the Intel World Wide Web site at:

<http://support.intel.com/support/motherboards/desktop>

Memory Module Requirements

The desktop boards have four 2.5 V memory module sockets that support RIMMs containing Direct Rambus[†] DRAM (RDRAM) devices.

The desktop boards support the following memory features:

- Maximum of 32 RDRAM devices per channel
- Memory configurations from 128 MB (minimum) to 2 GB (maximum) using 128/144 Mbit or 256/288 Mbit technology
- PC600 or PC800 compliant RDRAM
- Single or double-sided RIMM modules
- Serial Presence Detect (SPD) memory only
- ECC and non-ECC support



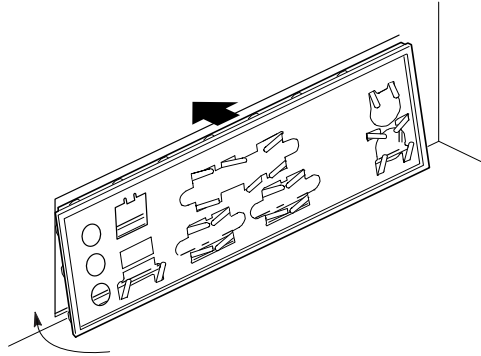
NOTE

For information about vendors that support these memory requirements, refer to the D850EMD2 or D850EMV2 link on this Intel World Wide Web site: <http://support.intel.com/support/motherboards/desktop>

Installation Steps

1 Installing the I/O Shield

The desktop boards come with an I/O shield. Install the I/O shield before installing the desktop board in the chassis. Place the shield inside the chassis as shown in the following figure. Press the shield into place so that it fits tightly and securely. If the shield doesn't fit, obtain a properly sized shield from the chassis supplier.



OM13621

2 Installing the Desktop Board



CAUTION

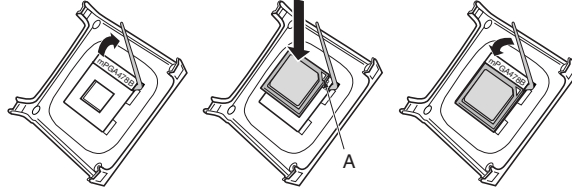
Failure to use an ATX12V power supply, or not connecting the additional power supply lead to the Desktop Board D850EMV2 or D850EMD2 may result in damage to the desktop board. For more information on the ATX12V power supply, refer to the Intel Desktop Boards D850EMD2 and D850EMV2 Product Guide on the Intel Express Installer CD-ROM.

Refer to your chassis manual for specific instructions on installing and removing the desktop board from the chassis.

The Desktop Board D850EMD2 is secured to the chassis with 11 screws and Desktop Board D850EMV2 with eight screws. Refer to the board illustration on page 4 for the location of the mounting holes.

3 Installing the Processor

1. Observe the precautions in “Before You Begin” on page 3.
2. Lift the processor socket lever.
3. Install the processor so that the corner with the triangle marking (A) is aligned with the corner where the lever is attached to the socket.
4. Lower the lever back to its original position.



OM12078

5. For instructions on how to install the processor fan heatsink, refer to the boxed processor manual or the Intel World Wide Web site at:

<http://support.intel.com/support/processors/pentium4/intnotes478.htm>

4 Installing the Memory Modules



CAUTIONS

Install a Continuity RIMM (CRIMM) in each unused memory socket or the board will not boot.

High insertion force may be required to install the RIMMs and CRIMMs. Use caution when inserting the RIMMs and CRIMMs to prevent the board from flexing.

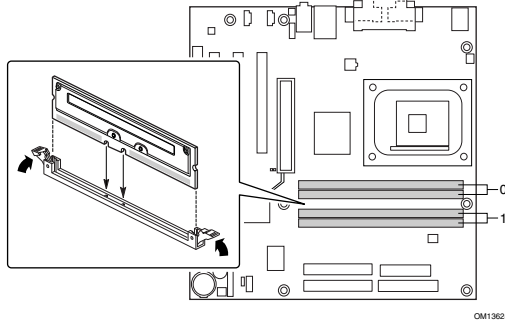
Install RIMMs into bank 0 first. If the desired memory configuration has been achieved, insert CRIMMs into bank 1.

If memory is to be installed in bank 1, the RIMM modules to be installed must be identical in size and density to each other, and match the speed of the RIMM modules in bank 0. For example, if bank 0 has two 128 MB RIMMs of PC800 RDRAM, bank 1 would require PC800 RDRAM also, however, any other supported RIMM modules such as 64 MB or 128 MB could be used.

To install DIMMs, follow these steps:

1. Remove the AGP video card (if it interferes with the DIMM clips from being easily opened and closed).
2. Align the small notch in the bottom edge of the DIMM with the key in the socket.

3. Insert the bottom edge of the DIMM into the socket.
4. When the DIMM is inserted, push down on the top edge of the DIMM until the retaining clips snap into place. Make sure the clips are firmly in place.



5 Installing an AGP Card

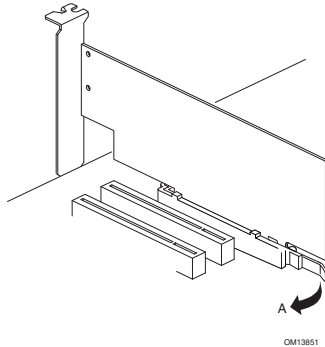
NOTE

The desktop boards D850EMD2 and D850EMV2 are only compatible with 1.5 V AGP cards.

The desktop boards D850EMD2 and D850EMV2 have an integrated AGP retention mechanism. Follow these instructions to install an AGP card:

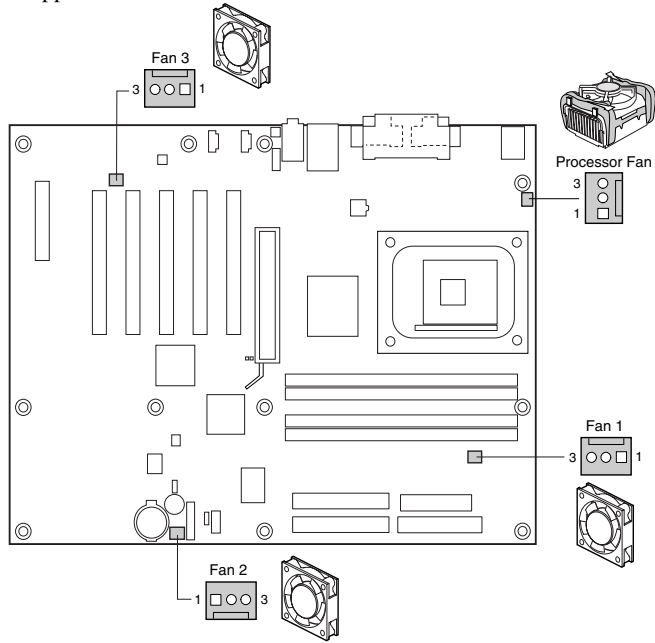
1. Place the AGP card in the AGP connector.
2. Press down on the card until it is completely seated in the AGP connector and the card retention notch snaps into place around the AGP card RM pin.
3. Secure the card's metal bracket to the chassis back panel with a screw.

To remove the AGP card, push back on the RM lever (A) until the retention pin completely clears the notch in the card.



6 Connecting the Fans

The following figure shows the location of the fan connectors. Connect the chassis fan cables to the desktop board connectors as shown in the figure below. The processor fan and fan 2 can be monitored via the Intel® Active Monitor software application.



OM13652

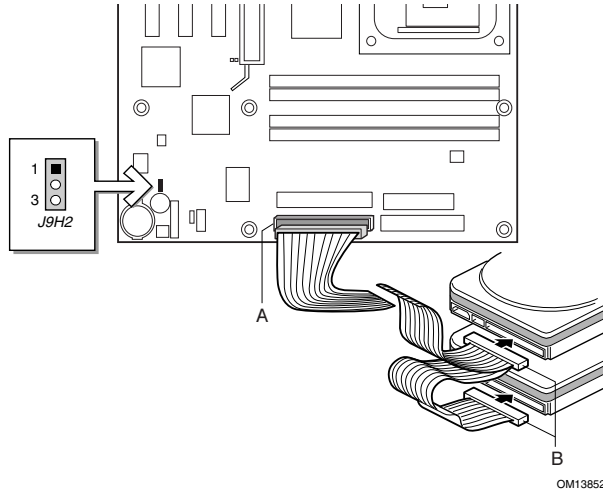
**D850EMV2 Board Fan Connectors
(D850EMD2 does not have fan 3)**

7 Attaching the IDE Drives

The Intel® boxed desktop board package includes two IDE cables. Either cable can connect two drives to the desktop board. The cables support the Ultra DMA-33 (40-contact, 40-conductor) or ATA-66/100 (40-contact, 80-conductor) transfer protocols and are backward compatible with drives using slower IDE transfer protocols.

The cable will work correctly only when oriented as shown in the following figure. For correct cable function:

1. Observe the precautions in “Before You Begin” on page 3.
2. Attach the cable end with the single connector (A) to the board.
3. Attach the cable end with the two closely spaced connectors (B) to the drives.



Using the BIOS Setup Program

The BIOS Setup program can be used to view and change the BIOS settings for the computer. The BIOS Setup program is accessed by pressing the <F2> key after the Power-On Self-Test (POST) memory test begins and before the operating system boot begins.

Setting the BIOS Configuration Jumper Block






CAUTION

Always turn off the power and unplug the power cord from the computer before changing the jumper. Moving the jumper with the power on may result in unreliable computer operation.

The BIOS configuration jumper block (J9H2) determines the operating mode of the BIOS Setup Program and enables BIOS recovery in the event of a failed BIOS update (see the previous figure for the location of the jumper block).

The following table describes the jumper settings for the BIOS Setup configuration jumper block.

BIOS Setup Configuration Jumper Settings

Jumper Position	Mode	Description
 1 3	Normal (default)	The BIOS uses the current configuration and passwords for booting.
 1 3	Configure	After the Power-On Self-Test (POST) runs, the BIOS displays the Maintenance Menu. Use this menu to clear passwords.
 1 3	Recovery	The BIOS recovers data from a recovery diskette in the event of a failed BIOS update. Instructions to update or recover the BIOS are in the <i>Intel Desktop Boards D850EMD2 and D850EMV2 Product Guide</i> on the Intel Express Installer CD-ROM.

BIOS Setup Program Defaults

To disable the audio interface, select the Peripheral Configuration Submenu under the Advanced Menu, then set Audio Device to “Disabled.”

To disable the LAN interface, select the Peripheral Configuration Submenu under the Advanced Menu, then set LAN Device to “Disabled.”

You can find a complete list of the latest BIOS Setup settings in the *Intel Desktop Boards D850EMD2 and D850EMV2 Product Guide* or on the Intel World Wide Web site at:

<http://support.intel.com/support/motherboards/desktop>

Intel® 桌面主板 D850EMD2 和 D850EMV2 快速参考指南

本指南仅供具备安装和配置桌面主板经验的合格技术人员使用。

开始之前	
警告和注意.....	3
安全和规范通告.....	3
桌面主板元件.....	4
支持的元件	
处理器.....	6
内存模块要求.....	6
安装步骤	
1 安装 I/O 防护板.....	7
2 安装桌面主板.....	7
3 安装处理器.....	8
4 安装内存模块.....	8
5 安装 AGP 卡.....	9
6 连接风扇.....	10
7 连接 IDE 驱动器.....	10
使用 BIOS 设置程序.....	11
设置 BIOS 配置跳线块.....	11
BIOS Setup（设置）程序默认设置.....	12
Intel® Express Installer（Intel 快速安装程序）光盘上提供的 项目	
• 产品保修书	
• Intel® 快速安装程序	
• Intel® 桌面主板 D850EMD2 和 D850EMV2 产品指南	
• 软件实用程序和驱动程序	
• 软件许可证协议	
• 自述文件	

获取帮助

您可从以下 Intel 万维网站点查看或下载产品的支持信息:

<http://support.intel.com/support/motherboards/desktop>

万维网站点上的文档包括:

- Intel® Desktop Board D850EMD2/D850EMV2 Technical Product Specification (Intel 桌面主板 D850EMD2/D850EMV2 技术产品规格)
- Intel® Desktop Board D850EMD2/D850EMV2 Specification Update (Intel 桌面主板 D850EMD2/D850EMV2 规格更新)

如果在万维网上找不到需要的信息, 请与您的经销商联系。Intel 万维网站上还列出了 Intel 客户支持的电话号码及收费标准 (若需收费)。

本文提供有关 INTEL® 产品的信息。本文档并未授予任何知识产权的许可, 并未以明示或暗示, 或以禁止反言或其它方式授予任何知识产权许可。除 INTEL 在其产品的销售条款和条件中声明的责任之外, INTEL 概不承担任何其它责任。并且, INTEL 公司对 INTEL 产品的销售和 / 或使用不作任何明示或暗示的担保, 包括对产品的特定用途适用性、适销性或对任何专利权、版权或其它知识产权的侵权责任等, 均不作担保。INTEL 产品并非设计用于医疗、救生或维生等用途。INTEL 可能随时对产品规格及产品描述作出修改, 恕不另行通知。

D850EMD2 和 D850EMV2 桌面主板可能包含某些设计缺陷或错误, 已收入勘误表, 并因此可能导致产品与出版的规格有所差异。如客户索取, 可提供最新的勘误表。

在订购产品之前, 请您与当地的 Intel 销售处或分销商联系, 以获取最新的规格说明。

本文档中提及的含有订购号的文档以及其它 Intel 文献, 可通过访问 Intel Corporation 的万维网站点获得。网址是: <http://www.intel.com> 或致电 1-800-548-4725 索取。

Intel 和 Pentium 是 Intel Corporation 或其子公司在美国及其它国家的注册商标。

† 其它名称和品牌为其相应所有者的财产。

Copyright © 2002, Intel Corporation

开始之前

警告和注意



警告

在连接或断开电缆、安装或拆下任何主板元件之前，请将母板的交流电源切断。否则，可能会导致人身伤害或损坏设备。即使在关闭前面板电源按钮以后，桌面主板上的某些电路仍可能继续带电。



注意

静电释放 (ESD) 可能会损坏桌面主板的元件。请在配备 ESD 控制装置的工作台上安装主板。如果没有 ESD 工作台可用，请在接触主板之前佩戴防静电腕带或触摸防静电包的表面。



注意

许多内部连接器为计算机机箱内的设备（如风扇和内部外围设备）提供工作电压（例如 +5 VDC 和 +12 VDC）。这些连接器不具备过载保护。请不要使用这些连接器为计算机机箱外的设备提供电源。由外部设备产生的负载故障可能会损坏计算机、互连电缆和外部设备自身。

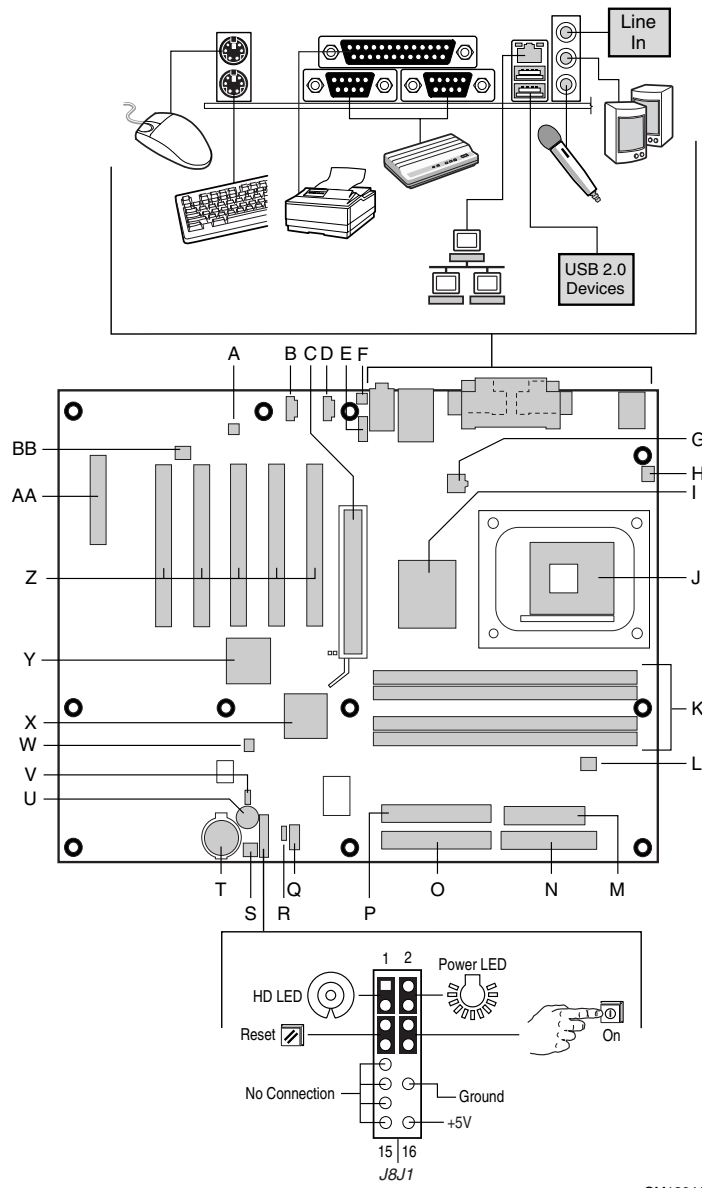
安全和规范通告

有关此产品符合的所有标准及规范的声明、产品认证标识、安全与电磁兼容性 (EMC) 标准以及所符合的各种规章等详情，请参阅《Intel® 桌面主板 D850EMD2 和 D850EMV2 产品指南》。

提供的更换电池警告标签：请将此标签贴在机箱内靠近电池且显眼的位置，注意不要贴在母板上。

设计应用领域：此产品经过评估测试，认定为信息技术设备 (I.T.E.)，可用于家用和商用个人计算机中。此产品在其它应用领域或应用环境的适用性，有待进一步鉴定。

桌面主板元件



OM13641

待续

桌面主板元件（续）

A	ADI AD1885 音频编解码器	O	主 IDE 连接器
B	ATAPI 辅助线路输入连接器	P	次 IDE 连接器
C	AGP 连接器	Q	前面板 USB 2.0 连接器
D	ATAPI CD-ROM 连接器	R	备用电源 / 睡眠 LED 指示灯连接器
E	前面板音频连接器	S	机箱风扇连接器（风扇 2） （转速计输入）
F	机箱开启连接器	T	电池
G	12 V 处理器内核电压连接器	U	扬声器
H	处理器风扇连接器（转速计输入）	V	BIOS 配置跳线
I	Intel® 82850E 内存控制器枢纽 (MCH)	W	SCSI 硬盘驱动器活动 LED 指示灯连接器
J	处理器插座	X	Intel® 82801BA I/O 控制器枢纽 (ICH2)
K	RIMM† 插座	Y	NEC D720100AGM USB 2.0 控制器
L	RIMM 风扇连接器（风扇 1）	Z	PCI 总线附加卡连接器
M	电源连接器	AA	通信和联网竖卡 (CNR) 连接器 （可选）
N	软盘驱动器连接器	BB	机箱风扇（风扇 3）



注意

若未使用 ATX12V 电源系统，或未为 D850EMD2 或 D850EMV2 主板连接附加电源系统引线，可能会对桌面主板造成损害。有关 ATX12V 电源系统的详情，请参阅 Intel Express Installer（Intel 快速安装程序）光盘上的《Intel 桌面主板 D850EMD2 和 D850EMV2 产品指南》。



注释

您桌面主板上的 PCI 插槽数量可能与图例上的插槽数量不同。

支持的元件

处理器

这些桌面主板支持以下处理器：

类型	频率标志	前端总线频率	二级高速缓存
Intel® Pentium® 4 处理器 (mPGA478 封装, 采用 0.13 微米 制程技术)	2.40 和 2.26 GHz	533 MHz	512 KB
Intel Pentium 4 处理器 (mPGA478 封装, 采用 0.13 微米 制程技术)	2.20、2A、1.80A 和 1.60A GHz	400 MHz	512 KB
Intel Pentium 4 处理器 (mPGA478 封装, 采用 0.18 微米 制程技术)	2、1.90、1.80、 1.70、1.60 和 1.50 GHz	400 MHz	256 KB

有关 D850EMD2 和 D850EMV2 主板所支持处理器的最新信息，请访问以下 Intel 万维网站点：

<http://support.intel.com/support/motherboards/desktop>

内存模块要求

桌面主板有四个 2.5 V 内存模块插座，支持包含 Direct Rambus[†] DRAM (RDRAM) 设备的 RIMM。

桌面主板支持以下内存功能：

- 每个通道上最多可达 32 个 RDRAM 设备
- 使用 128/144 Mbit 或 256/288 Mbit 内存模块，内存容量可配置为 128 MB（最小）至 2 GB（最大）
- 符合 PC600 或 PC800 标准的 RDRAM
- 单面或双面 RIMM 内存模块
- 仅支持“串行设备检测” (SPD) 内存
- ECC（错误校正）和非 ECC 支持



注释

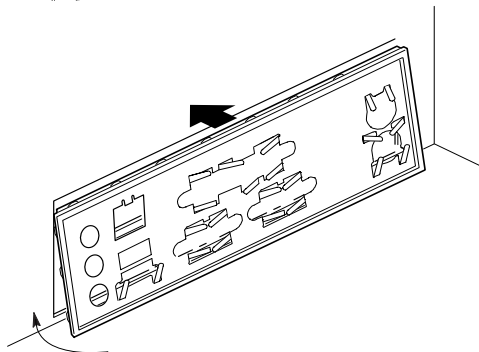
有关支持这些内存要求的产品供应商的详情，请访问以下 Intel 万维网站点中的 D850EMD2 或 D850EMV2 链接：

<http://support.intel.com/support/motherboards/desktop>

安装步骤

1 安装 I/O 防护板

本桌面主板带有 I/O 防护板。在向机箱中安装桌面主板之前，应先安装 I/O 防护板。如下图所示，将防护板放入机箱中。沿箭头所指方向推压防护板，使其紧固到位。如果防护板不适合机箱的尺寸，请从机箱供应商处获取尺寸合适的防护板。



OM13621

2 安装桌面主板



注意

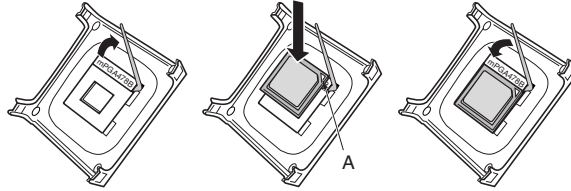
若未使用 ATX12V 电源系统，或未为 D850EMV2 或 D850EMD2 主板连接附加电源系统引线，可能会对桌面主板造成损害。有关 ATX12V 电源系统的详情，请参阅 Intel® Express Installer (Intel 快速安装程序) 光盘上的《Intel 桌面主板 D850EMD2 和 D850EMV2 产品指南》。

有关安装和拆卸桌面主板的详细说明，请参阅机箱手册。

桌面主板 D850EMD2 通过 11 颗螺丝固定到机箱上，而桌面主板 D850EMV2 则通过 8 颗螺丝固定到机箱上。有关安装孔位置的信息，请参阅第 4 页的母板图例。

3 安装处理器

1. 请遵守“开始之前”中的注意事项（参阅第 3 页）。
2. 将处理器插座的拉杆完全抬起。
3. 让处理器上有三角标志 (A) 的一角与插座上连接拉杆的一角对齐，将处理器插入插座中。
4. 将拉杆按回原位。



OM12078

5. 有关如何安装处理器风扇散热器的说明，请参阅原包装中的处理器手册或访问 Intel 万维网站点，网址是：

<http://support.intel.com/support/processors/pentium4/intnotes478.htm>

4 安装内存模块



注意

在每个未使用的内存插座中必须插入一个连续性 RIMM (CRIMM)，否则主板将无法启动。

在安装 RIMM 或 CRIMM 内存模块时，可能需要用力按压，才可将模块插入插槽。插入 RIMM 或 CRIMM 内存模块时要小心谨慎，以防主板发生弯曲。

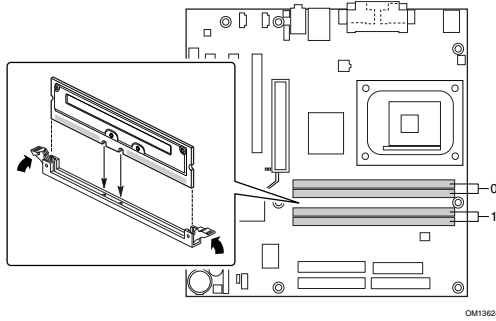
首先将 RIMM 插入 Bank 0。如果已达到所需的内存配置，则将 CRIMM 插入 Bank 1。

如果要将内存模块安装到 Bank 1 中，则必须使用尺寸和密度完全相同的 RIMM 模块，并与 Bank 0 中的 RIMM 模块的速度相匹配。例如，若在 Bank 0 中安装了两条 128 MB RIMM 符合 PC800 规格的 RDRAM，则 Bank 1 中也必须安装符合 PC800 规格的 RDRAM，但可以是任何其它支持的 RIMM 模块，如 64 MB 或 128 MB 内存模块。

要安装 DIMM（双列直插式内存模块），请按以下步骤操作：

1. 卸下 AGP 视频卡（在您打开和关闭 DIMM 卡固销子比较困难的情况下）。
2. 将 DIMM 底边的小凹口与插座上的卡固销子对齐。

3. 将 DIMM 的底边插入插座。
4. 插入 DIMM 期间，按住 DIMM 的顶边向下推压，直到卡固销子将其卡固到位。确保销子已牢牢夹紧。



5 安装 AGP 卡

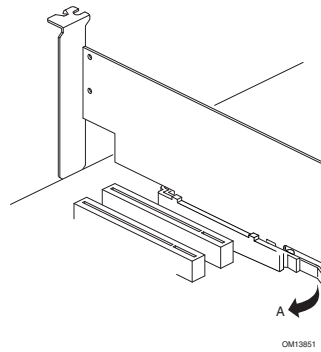
注释

D850EMD2 和 D850EMV2 桌面主板只与 1.5 V AGP 卡兼容。

桌面主板 D850EMD2 和 D850EMV2 提供集成 AGP 卡固定架。要安装 AGP 卡，请按以下步骤操作：

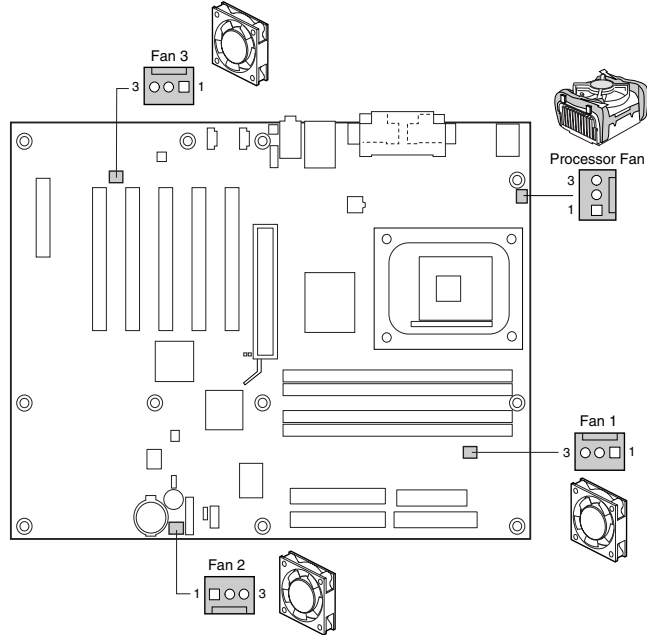
1. 将 AGP 卡放入 AGP 连接器。
2. 向下推压卡的边缘，直到它完全卡入 AGP 连接器，使卡的固定槽口完全与围绕 AGP 卡固定架的卡固销子卡扣啮合。
3. 用螺丝将卡的金属支架固定到机箱的背面板上。

要卸下 AGP 卡，推动固定架拉杆 (A)，直到卡固销子完全脱离卡上的凹口。



6 连接风扇

下图显示了风扇连接器的位置。将机箱风扇电缆连接到桌面母板的连接器上（如下图所示）。可通过 Intel® Active Monitor（活动监视器）软件，对处理器风扇和风扇 2 进行监视。



OM13652

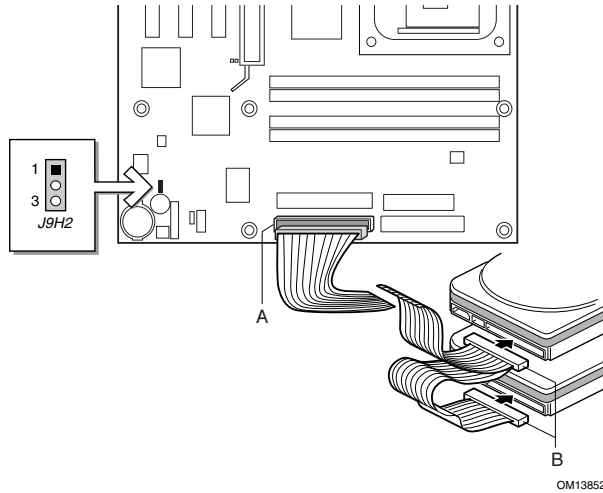
D850EMV2 主板风扇连接器
(D850EMD2 没有风扇 3)

7 连接 IDE 驱动器

Intel® 原装桌面主板包装盒内有两条 IDE 电缆。每条电缆可将两个驱动器连接到桌面母板上。40 触点 40 芯电缆支持 Ultra DMA-33 传输协议；40 触点 80 芯电缆支持 ATA-66/100 传输协议，并向后兼容使用更慢速 IDE 传输协议的驱动器。

如下图所示调整好电缆的方向，电缆才能正常工作。要使电缆正常工作：

1. 请遵守“开始之前”中的注意事项（参阅第 3 页）。
2. 将电缆带有单连接器 (A) 的一端连接到母板上。
3. 将电缆带有相邻双连接器 (B) 的一端连接到驱动器上。



使用 BIOS 设置程序

BIOS 设置程序可用于查看和更改计算机的 BIOS 设置。在开机自检 (POST) 内存测试开始之后、操作系统启动之前，按 <F2> 键可以进入 BIOS Setup（设置）程序。

设置 BIOS 配置跳线块



注意

更改跳线之前，必须关闭计算机电源，并从计算机上拔下电源线。若在计算机处于通电状态下调整跳线，可能导致计算机运行不稳定。

BIOS 配置跳线块 (J9H2) 决定 BIOS Setup（设置）程序的工作模式，且在 BIOS 更新失败时可进行 BIOS 恢复（有关跳线块位置的信息，请参阅上图）。

下表列出了 BIOS Setup（设置）程序不同配置的跳线设置。

BIOS Setup（设置）程序配置跳线的设置

跳线位置	模式	说明
 1 3	正常 (默认)	BIOS 使用当前配置和口令来启动系统。
 1 3	配置	开机自检 (POST) 运行后, BIOS 显示 Maintenance (维护) 菜单。通过此菜单可清除口令。
 1 3	恢复	如果更新 BIOS 失败, BIOS 将从一张恢复软盘中恢复原来的 BIOS 设置数据。有关更新或恢复 BIOS 的说明, 请参阅 Intel Express Installer (Intel 快速安装程序) 光盘中的《Intel 桌面主板 D850EMD2 和 D850EMV2 产品指南》。

BIOS Setup（设置）程序默认设置

要禁用音频接口, 选择 Advanced Menu (高级菜单) 下的 Peripheral Configuration Submenu (外围设备配置子菜单), 然后将 Audio Device (音频设备) 设置为 “Disabled” (禁用)。

要禁用 LAN 接口, 选择 Advanced Menu (高级菜单) 下的 Peripheral Configuration Submenu (外围设备配置子菜单), 然后将 LAN Device (LAN 设备) 设置为 “Disabled” (禁用)。

要查阅 BIOS Setup (设置) 程序各项设置的完整列表, 请参阅《Intel 桌面主板 D850EMD2 和 D850EMV2 产品指南》, 或访问以下 Intel 万维网站点:

<http://support.intel.com/support/motherboards/desktop>